

BVO409F

650TVL Varifocal IR Bullet Camera

Product Overview

Bavono BVO409F 650TVL high resolution night vision camera features a unique and user-friendly design, a durable metal exterior, built-in OSD (on-screen display) and a long lifespan. This varifocal camera has a manual zoom adjustment function and an optional extended mounting bracket. It utilizes Infrared LED Arrays with an effective range of up to 60-80 meters. This camera is weatherproof against dust and rain, with an Ingress Protection Rating of IP66. BVO409F is an ultimate choice for professional security providers.

Infrared Technology

A human eye can only detect wavelengths within the visible spectrum, which is only a small portion of the electromagnetic spectrum. Visible colors ranging from the longest to shortest are red, orange, yellow, green, blue, and violet. Colors with a longer wavelength than red are known as infrared radiation, and colors with a shorter wavelength than violet are known as ultraviolet radiation. Infrared bounces off objects in darkness and enters a special lens which is then generated into an image. This enables images to be captured in dark settings where the surroundings are not visible to humans.

Horizontal Resolution

Horizontal Resolution is one of the key factors in assessing the quality of cameras expressed in Television Lines (TVL). Optical low-pass filters are used in Bavono cameras to eliminate color aliasing. Serial Signal Processing and image enhancement technology deliver a high resolution of 650 TVL. The image quality is further enhanced via advanced image processing techniques and special algorithms.

Digital Noise Reduction

DSP (Digital Signal Processing) cameras utilize special digital noise reduction algorithms to significantly eliminate signal disturbances and color noise. As a result, motion trails are minimized to deliver high quality images.

Privacy Masking

The Privacy Masking function allows users to block out designated areas where video surveillance is not desirable.

Electronic Shutter

Electronic Shutter ensures clarity of objects in high speed motion. Shutter speed is directly proportional to image quality.

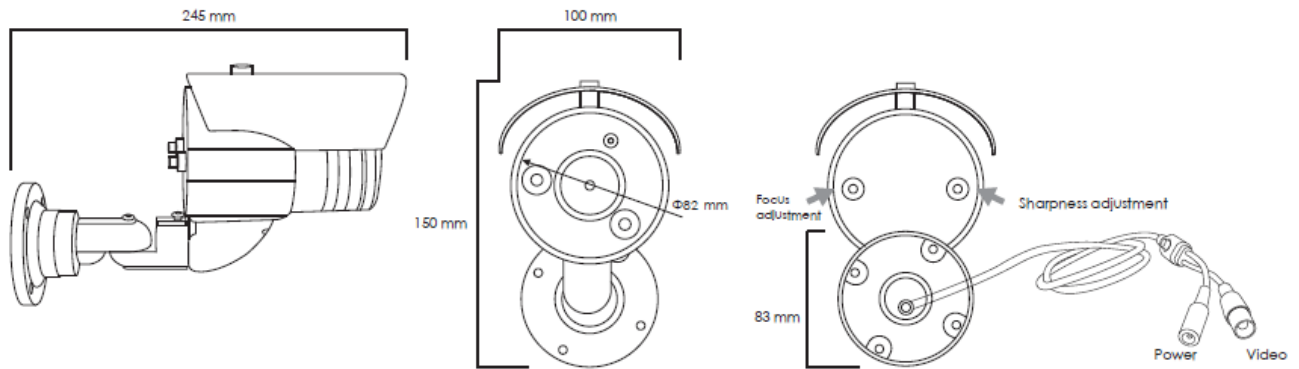
Features

- ▶ 1/3" Sony Super HAD CCD II
- ▶ More Than 650 TVL of Horizontal Resolution
- ▶ Minimum Illumination of 0.1 Lux at F2.0 and 0 Lux with IR On
- ▶ 9mm - 22mm Varifocal Lens
- ▶ 2 Array IR LEDs
- ▶ IR LED Effective Range Reaches Up to 60-80 Meters
- ▶ Ingress Protection Rating of IP66
- ▶ 4 Zones Privacy Masking Function
- ▶ Digital Noise Reduction for Reducing HDD Capacity
- ▶ Built-in OSD (On Screen Display)
- ▶ Power Supply: DC 12V



1/3" Sony Super HAD CCD II	650 TVL	0.1 Lux / F2.0	60 - 80 m	4 Zones	OSD	IP 66
Image Sensor	Resolution	Min. illumination	IR LED Range	Privacy Masking	Menu	Ingress Protection

Dimensions



Specifications

Model	BVO409F	
Video Standard	NTSC	PAL
Image Sensor	1/3" Sony Super HAD CCD II	
Effective Picture Elements	NTSC : 786 (H) × 494 (V)	PAL : 752(H) × 582(V)
Horizontal Resolution	650 TVL	
Min. Illumination (approx.)	0.1 Lux / F2.0, 0 Lux (IR On)	
IR LED (Array)	2 Units	
IR LED Effective Range	Up to 60-80 Meters	
Scanning System	2:1 Interlace	
Synchronizing System	Auto / Internal	
Video Out Level	1.0 V (p-p) / 75 Ω , Composite	
Video S/N Ratio	More than 52dB (AGC Off)	
Electronic Shutter	1/60 - 1/120,000 sec / 1/50 - 1/120,000 sec	
2D-Digital Noise Reduction (2D-DNR)	Off / Low / Middle / High	
Privacy Masking	4 Zones	
OSD Language	English / Chinese	
Lens	Varifocal Lens (9 mm - 22 mm)	
Protection Rating	IP66	
Power Requirement	DC 12V	
Operating Temperature	-20°C - 60°C / 30% - 80%	
Storage Temperature	-30°C - 60°C / 20% - 90%	
Shell Material	Metal	
Dimensions (mm)	225 x 101 x 150	

Applications



Offices



Warehouses



Hotels



Pubs



Retail Stores



Car Parks



Parks